

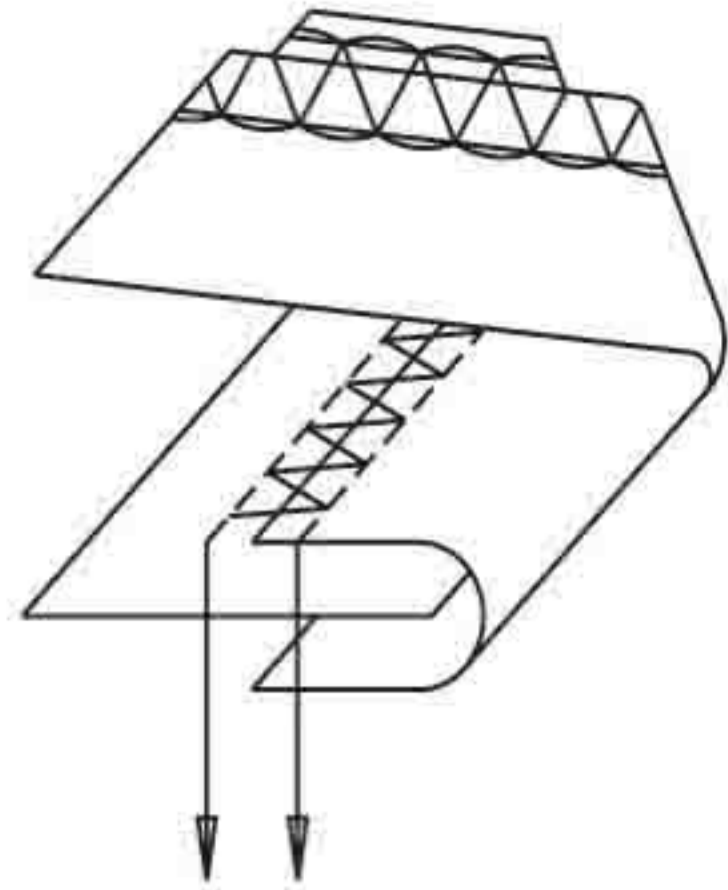
GUIDA COLLARETTO TIPO 094 APERTA

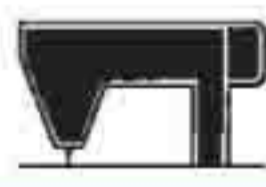

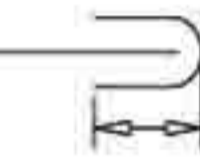
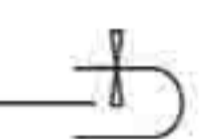
GUIDE COLLERETTE 094 OUVERTE

OPEN SPLIT-TUBE FOLDER 094

GUIA PARA COLLARIN 094 ABIERTA

27 COLLARETTO



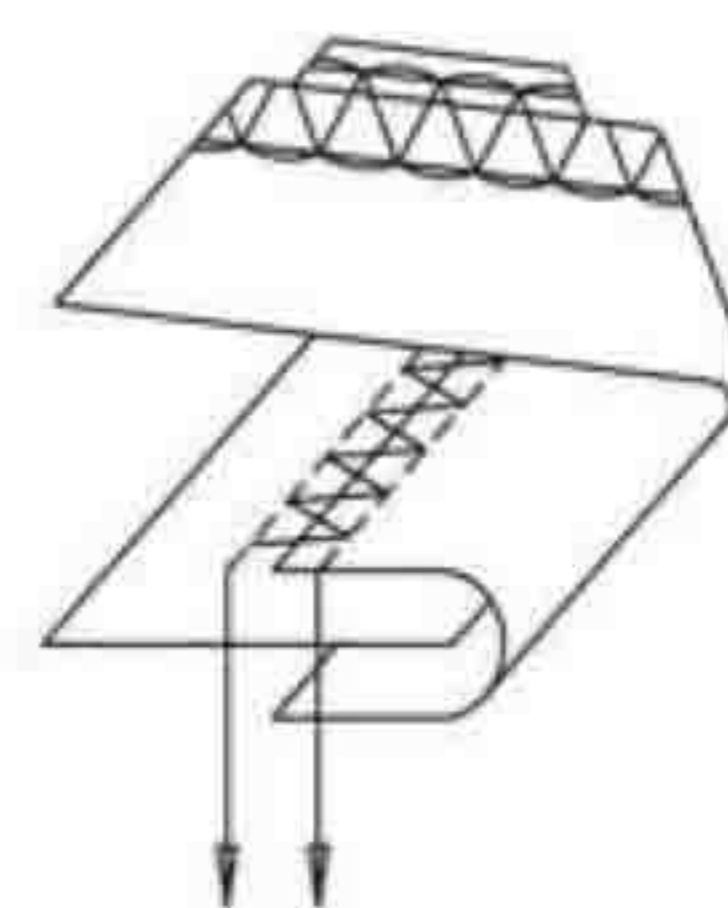
CODICE										
		mm.	inch.	mm.	inch.	mm.	inch.			
94200		14	9/16	7	9/32	1,5	1/16			
94200/1		14	9/16	7	9/32	2	5/64			
94200/2		15	19/32	7,5	19/64	2	5/64			
								COSTRUITO A RICHIESTA MANUFACTURED ON REQUEST CONSTRUIT SUR DEMANDE CONSTRUIDO SOBRE DEMANDA		




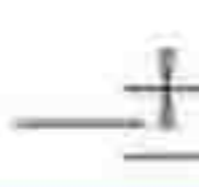
GUIDA COLLARETTO TIPO 094

GUIDE COLLERETTE 094

SPLIT-TUBE FOLDER 094

GUIA PARA COLLARIN 094



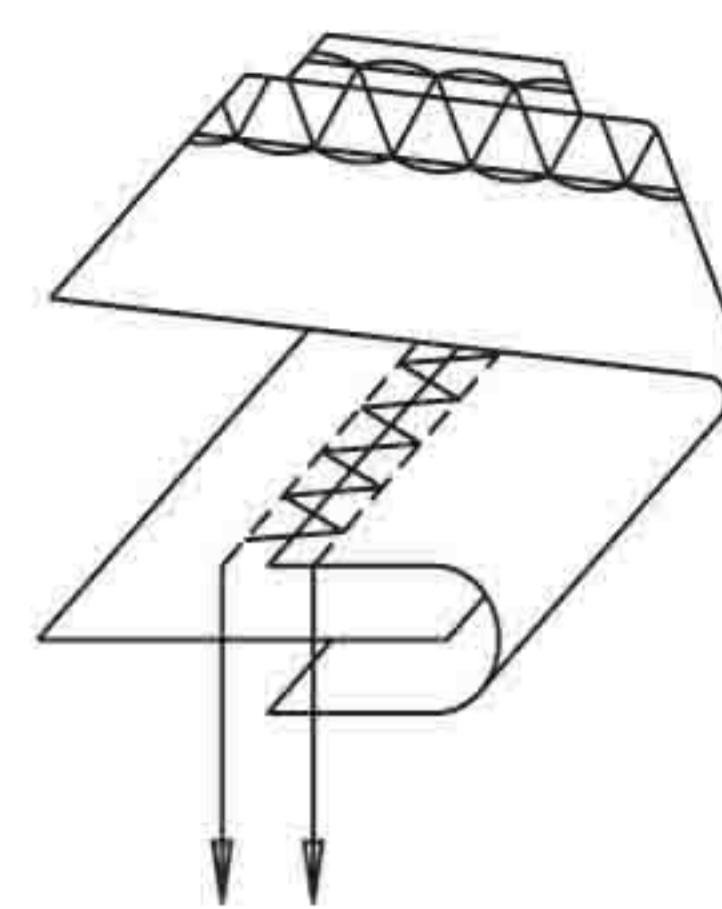
CODICE		mm. 	inch.	mm. 	inch.	mm. 	inch.			
94204		12	15/32	6	1/4	1,5	1/16			
94205		13	33/64	6,5	1/4	1,5	1/16			
94206		14	9/16	7	9/32	1,5	1/16			
94201		15	19/32	7,5	19/64	1	3/64			
94202		15	19/32	7,5	19/64	2	5/64			
94207		16	5/8	8	5/16	1,5	1/16			
94001		20	25/32	10	25/64	1,4	1/16			
94002		20	25/32	10	25/64	2,5	3/32			
94003		25,5	1	12,5	1/2	1,5	1/16			
94004		25,5	1	12,5	1/2	2	5/64			
94005		28	1-1/8	14	9/16	2,5	3/32			
94006		30	1-3/16	15	19/32	1	3/64			
94007		30	1-3/16	15	19/32	2	5/64			
94009		32	1-1/4	16	5/8	1,5	1/16			
94010		32	1-1/4	16	5/8	2	5/64			
94011		38	1-1/2	19	3/4	2	5/64			
94012		38	1-1/2	19	3/4	2,7	7/64			
94015		44,5	1-3/4	22	7/8	2	5/64			
94016		44,5	1-3/4	22	7/8	3	1/8			
94018		51	2	25,5	1	2	5/64			
94019		51	2	25,5	1	3,2	1/8			
94022		63,5	2-1/2	32	1-1/4	2	5/64			
94023		63,5	2-1/2	32	1-1/4	3,5	9/64			
94024		70	2-3/4	35	1-3/8	2	5/64			
94025		80	3-5/32	39	1-9/16	2,5	3/32			
94029		100	3-15/16	50	1-31/32	2,5	3/32			
94030		120	4-47/64	60	2-3/8	2,5	3/32			
94032		130	5-1/8	65	2-9/16	2,5	3/32			

GUIDA COLLARETTO TIPO 094H

GUIDE COLLERETTE 094 H

SPLIT-TUBE FOLDER 094H

GUIA PARA COLLARIN 094H



CODICE

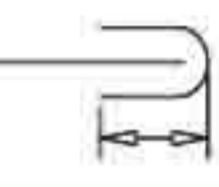


mm.



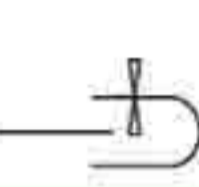
inch.

mm.



inch.

mm.



inch.

94100

18

23/32

9

11/32

3

1/8

94101

20

25/32

10

25/64

3

1/8

94102

26

1-1/32

13

33/64

3

1/8

94103

30

1-3/16

15

19/32

4

5/32

94104

35

1-3/8

17,5

11/16

4

5/32

94105

40

1-9/16

20

25/32

4

5/32

94106

45

1-3/4

22,5

7/8

4

5/32

94107

50

1-31/32

25

1

4

5/32

94108

55

2-3/16

27,5

1-5/64

4

5/32

94109

60

2-3/8

30

1-3/16

4

5/32

94110

70

2-3/4

35

1-3/8

4

5/32

94111

80

3-5/32

40

1-9/16

4




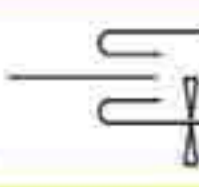
5/32

SEGUE DATI PAGINA PRECEDENTE

IL SUIV DE LA PAGE PRÉCÉDENTE

CONTINUE FROM THE PREVIOUS PAGE

CONTINUA DESDE LA PÁGINA ANTERIOR

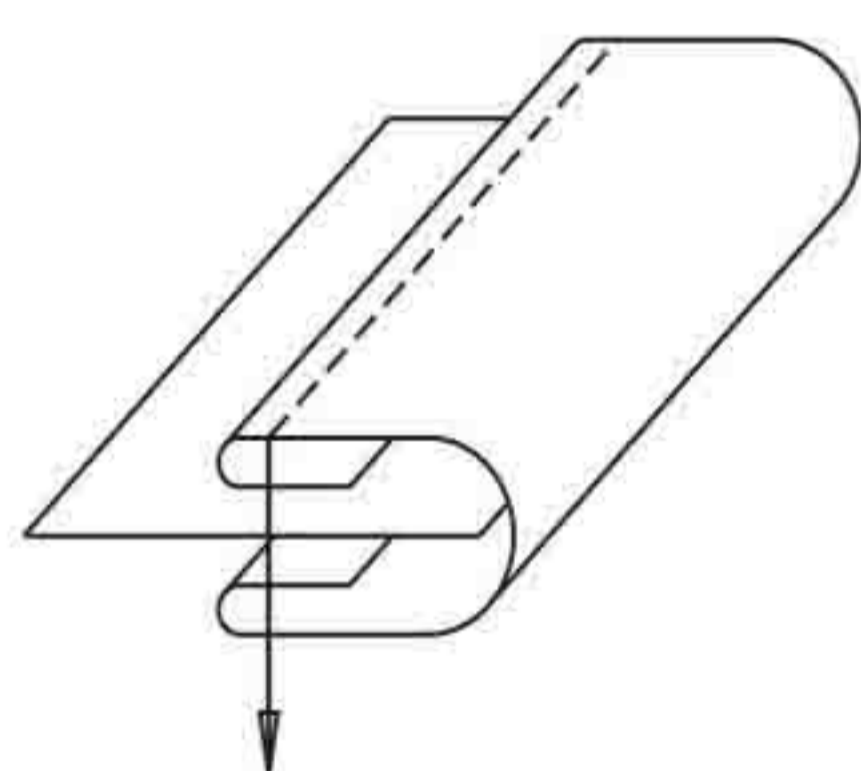
CODICE		mm. 	inch.	mm. 	inch.	mm. 	inch.			
98015		100	3-15/16	42	1-21/32	1,5	1/16			
98018		130	5-1/8	57	2-1/4	2,5	3/32			
98019		130	5-1/8	57	2-1/4	3,5	9,64			



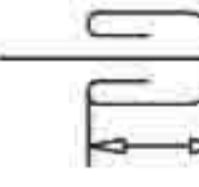

GUIDA COLLARETTO TIPO 098H

GUIDE COLLERETTE 098H

SPLIT-TUBE FOLDER 098H

GUIA PARA COLLARIN 098H



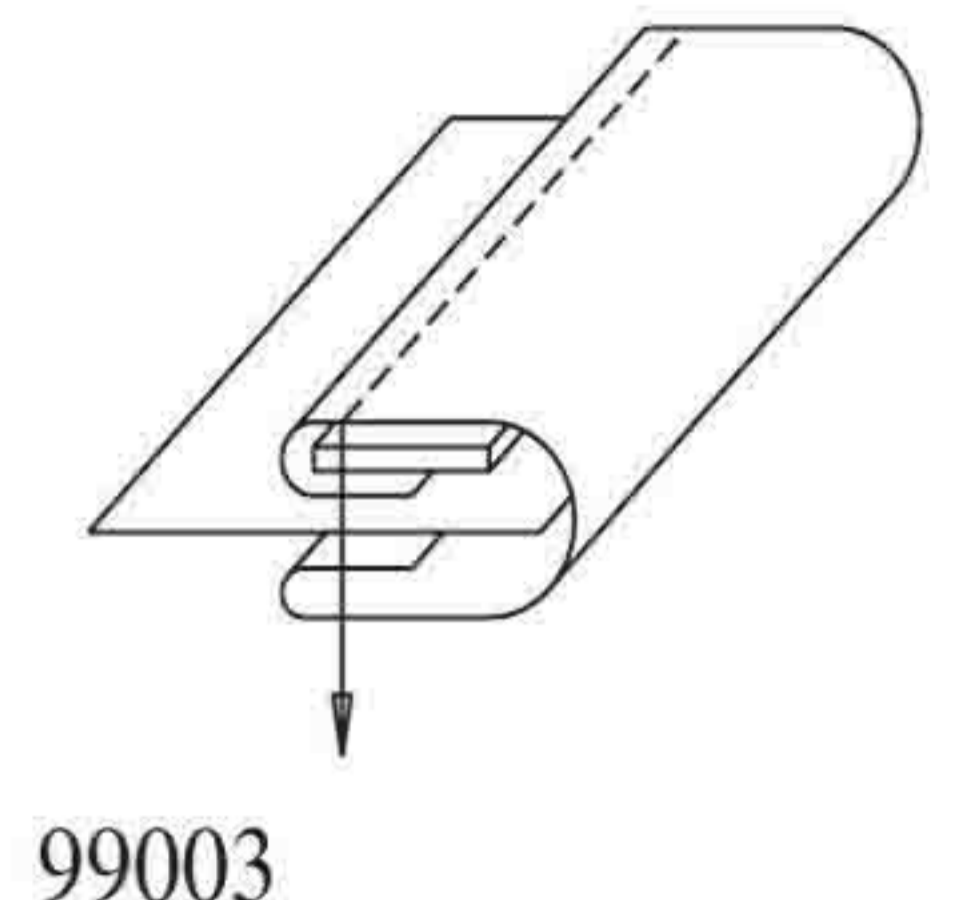
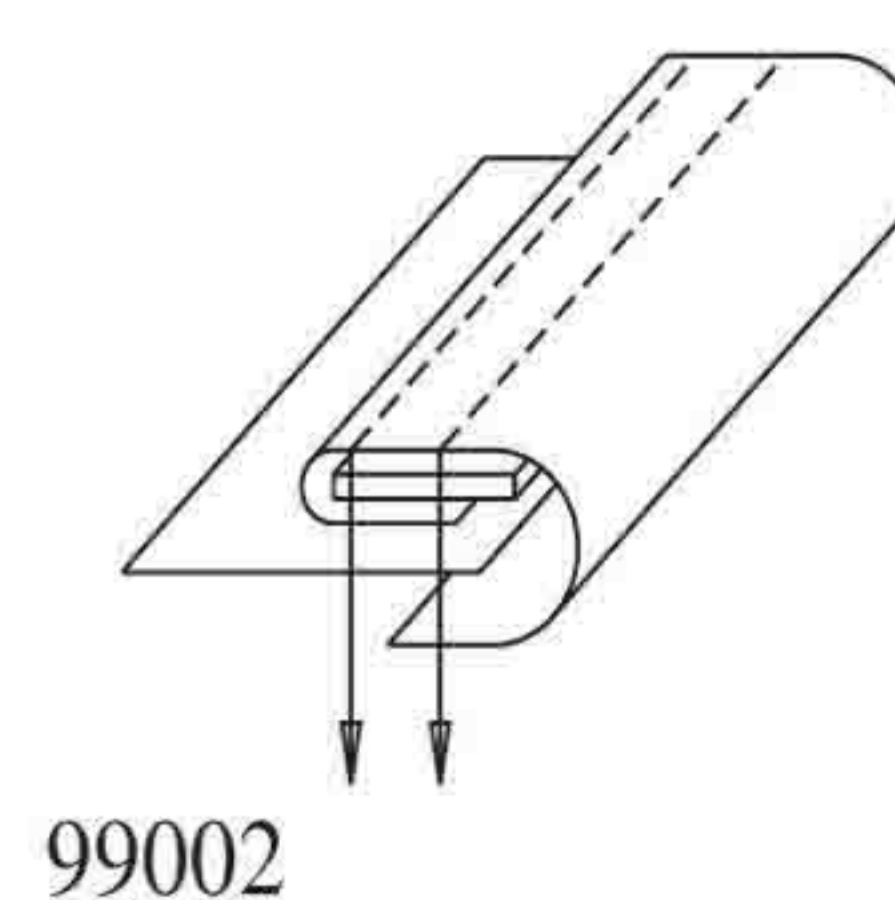
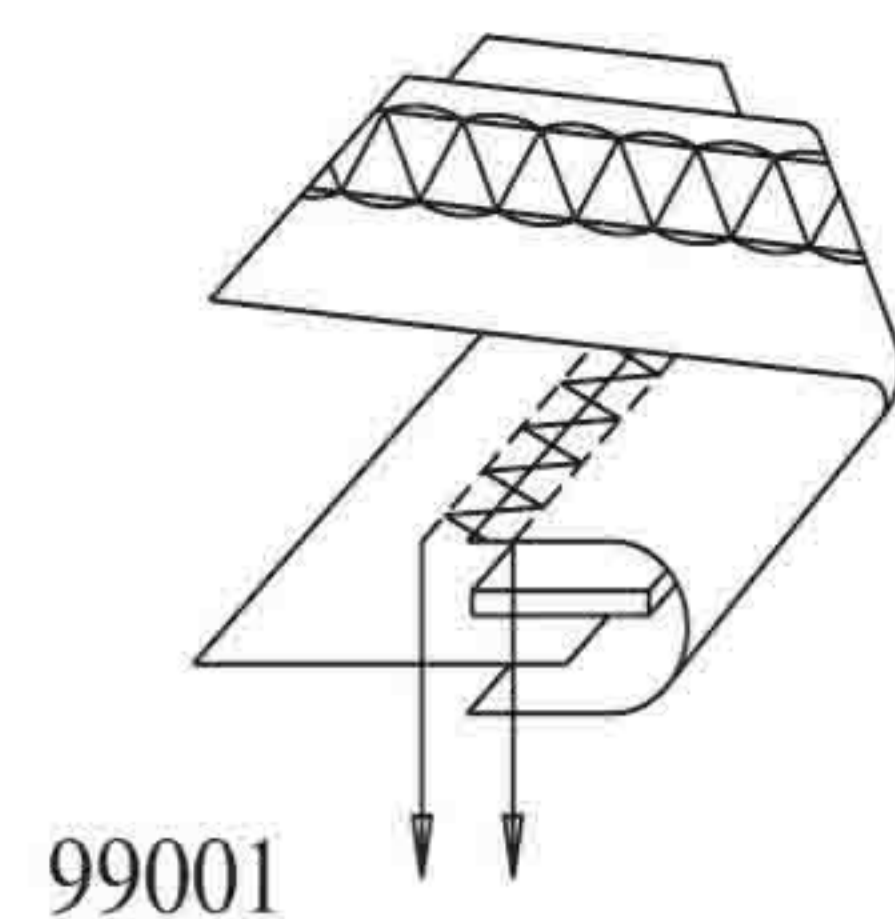
CODICE		mm. 	inch.	mm. 	inch.	mm. 	inch.			
98200		32	1-1/4	8	5/16	3,5	9/64			
98201		38	1-1/2	12	15/32	3,5	9/64			
98202		45	1-3/4	15	19/32	3,5	9/64			
98203		50	1-31/32	19	3/4	3,5	9/64			
98204		60	2-3/8	22	7/8	3,5	9/64			
98205		70	2-3/4	26	1-1/32	3,5	9/64			
98206		80	3-5/32	30	1-3/16	3,5	9/64			



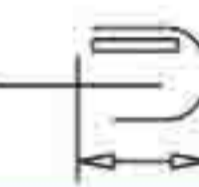

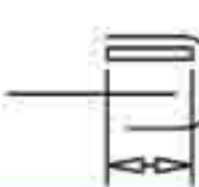


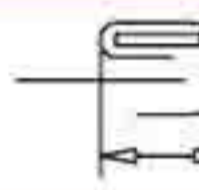
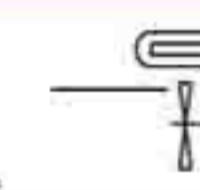
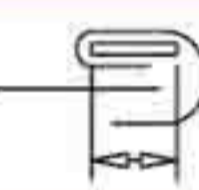

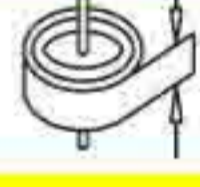
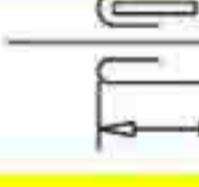
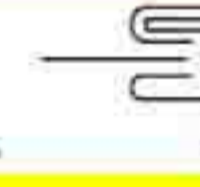
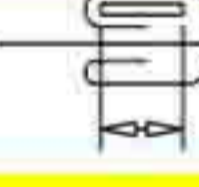
GUIDA COLLARETTO CON INSERIMENTO DI ELASTICO

GUIDE COLLERETTE AVEC INSERTION D'ELASTIQUE

SPLIT-TUBE FOLDER WITH ELASTIC INSERTION

GUIA PARA COLLARIN CON INSERCIÓN DE ELASTICO



CODICE		mm. 	inch.	mm. 	inch.	mm. 	inch.	mm. 	inch.
99001		32	1-1/4	16	5/8	1,7	1/16	14	9/16
CODICE		mm. 	inch.	mm. 	inch.	mm. 	inch.	mm. 	inch.
99002		20	25/32	7	9/32	1,7	1/16	6	1/4
		24	15/16	9	11/32	1,7	1/16	8	5/16
		27	1-1/16	10,5	27/64	1,7	1/16	10	25/64
		32	1-1/4	12,5	1/2	1,7	1/16	12	15/32
		38	1-1/2	16	5/8	1,7	1/16	14	9/16
CODICE		mm. 	inch.	mm. 	inch.	mm. 	inch.	mm. 	inch.
99003		20	25/32	5	3/16	1,5	1/16	4	5/32
		22	7/8	5,5	7/32	1,5	1/16	4	5/32
		25	1	6	1/4	1,5	1/16	5	3/16
		28	1-1/8	7	9/32	1	3/64	6	1/4
		28	1-1/8	7	9/32	1,7	1/16	6	1/4
		30	1-3/16	9	11/32	1,7	1/16	8	5/16
		32	1-1/4	9	11/32	1	3/64	8	5/16
		32	1-1/4	9	11/32	1,7	1/16	8	5/16
		35	1-3/8	11	7/16	1,7	1/16	10	25/64
		38	1-1/2	12	15/32	1,7	1/16	11	7/16
		42	1-21/32	15	19/32	1,7	1/16	12	15/32

P 99004

TIPO 99002

SENZA REGOLAZIONE DELL'ELASTICO
WITHOUT ELASTIC ADJUSTMENT
SANS RÉGLAGE D'ELASTIQUE
SIN REGULACIÒN DES ELÁSTICO

P 99005

TIPO 99003

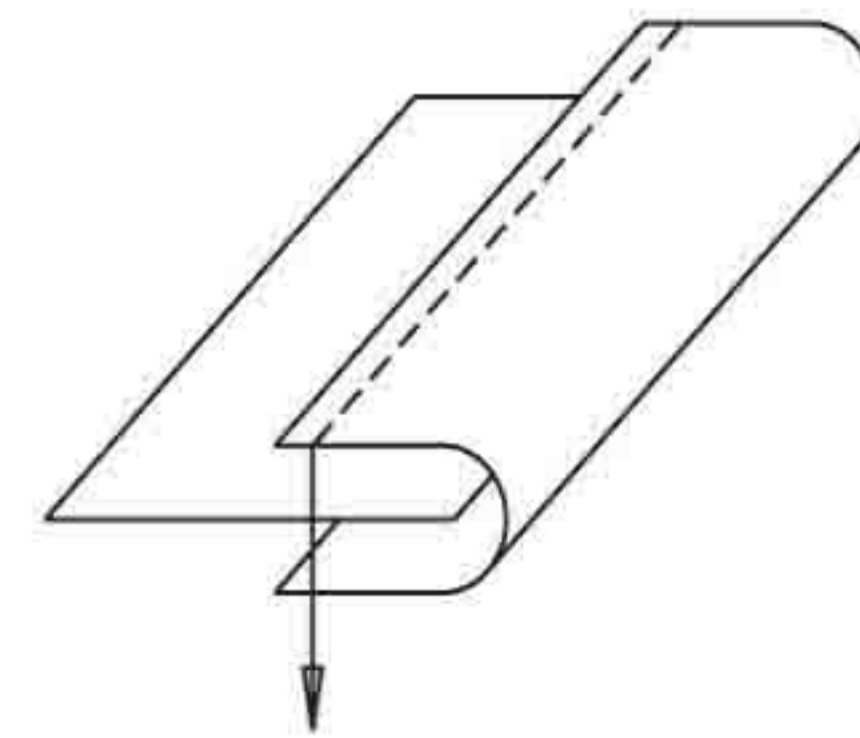
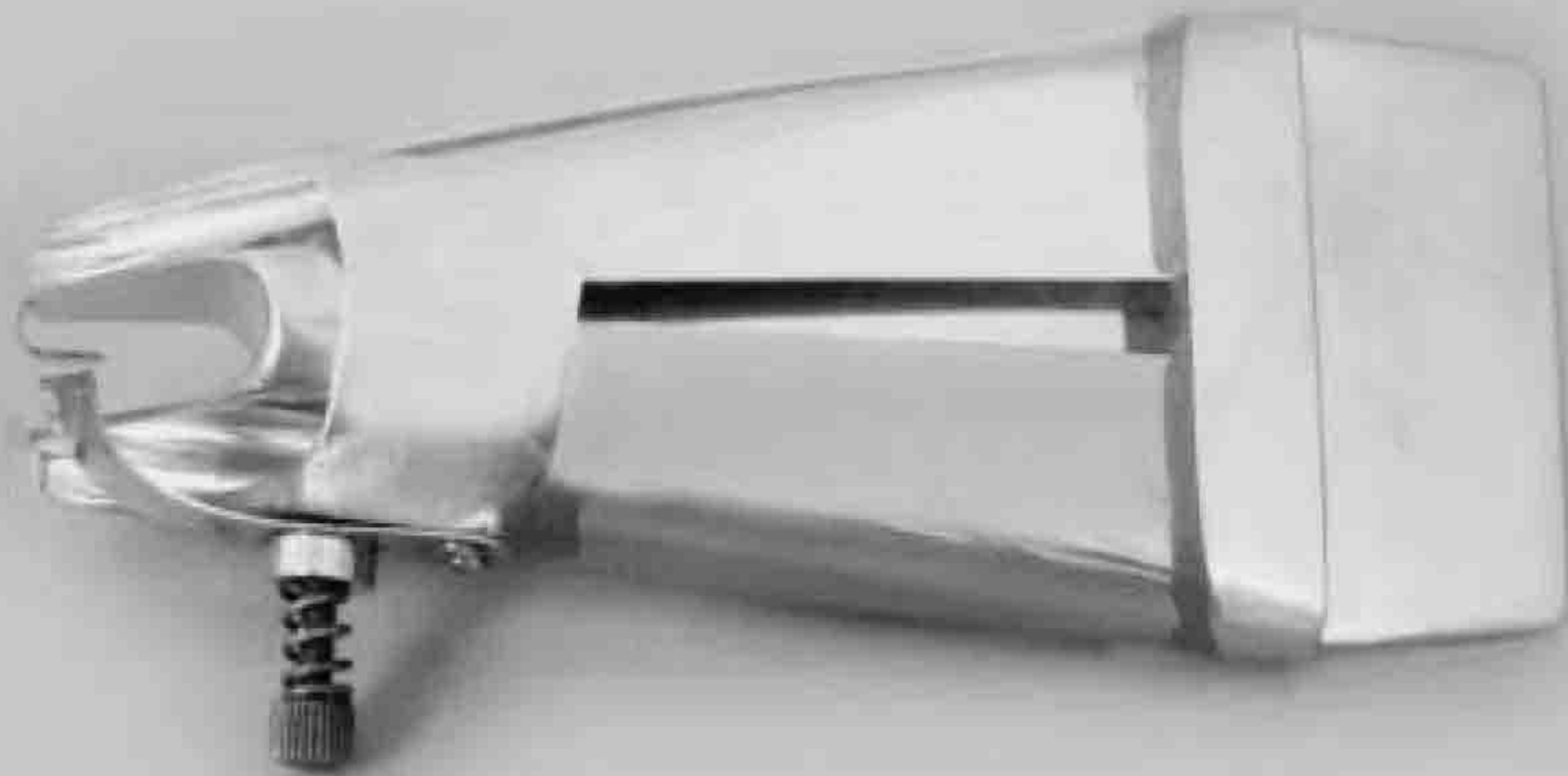
**COSTRUITO A RICHIESTA
MANUFACTURED ON REQUEST
CONSTRUIT SUR DEMANDE
CONSTRUIDO SOBRE DEMANDA**

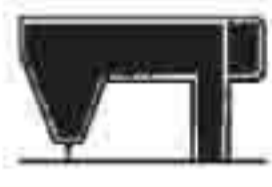

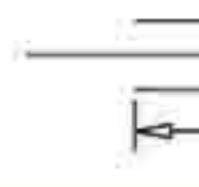
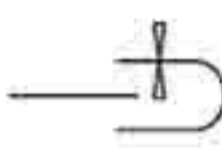
GUIDA COLLARETTO PER FINTO RIMAGLIO PIEGA SEMPLICE

GUIDE COLLERETTE AVEC FAUX REMAILLAGE A REVERSE SIMPLE

LINKING SPLIT-TUBE FOLDER WITH SIMPLE FOLD

GUIA PARA FALSO REMALLADO A VUELTA SEMPLICE



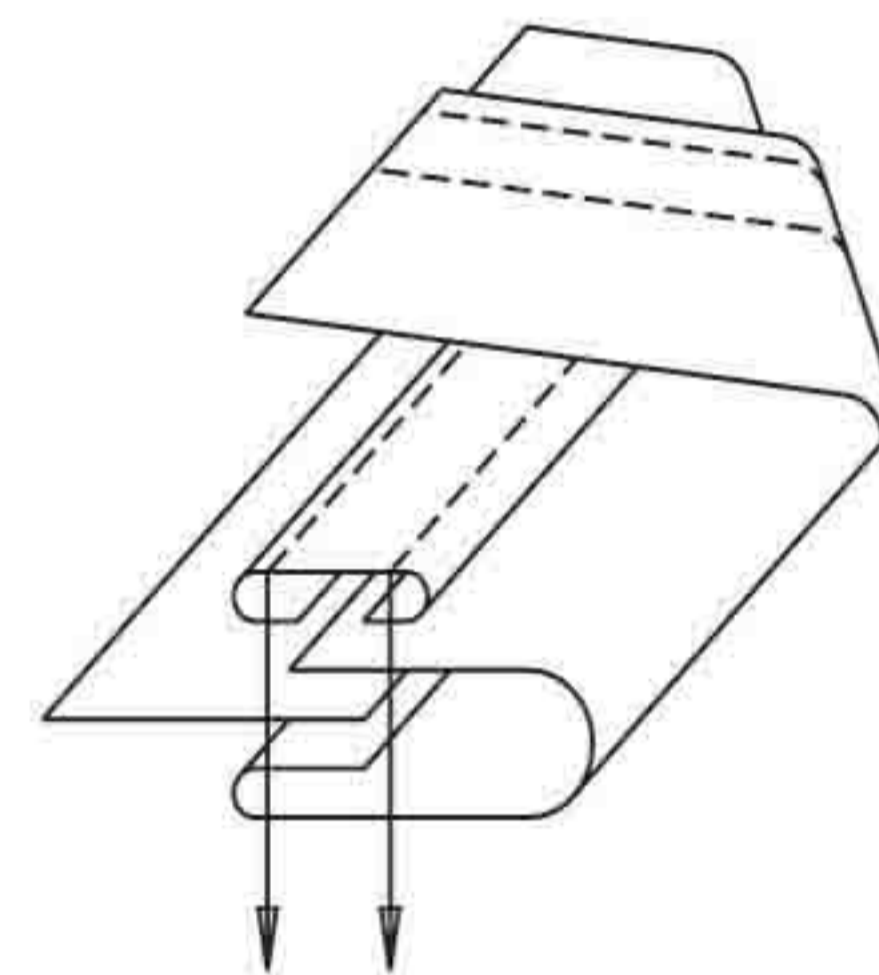
CODICE		mm.  inch.	mm.  inch.				
94501					COSTRUITO A RICHIESTA MANUFACTURED ON REQUEST CONSTRUIT SUR DEMANDE CONSTRUIDO SOBRE DEMANDA		



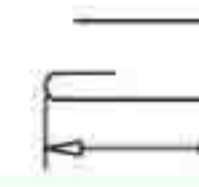
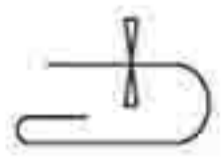

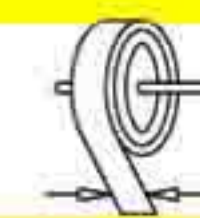
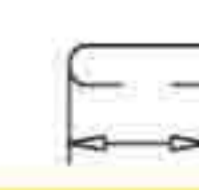

GUIDA COLLARETTO PER MACCHINE PIANE 2 AGHI CON BANDA SUPERIORE

GUIDE COLLERETTE POUR MACHINES A 2 AIGUILLES POINT DE CHAINETTE AVEC APPLICATION DE BANDE

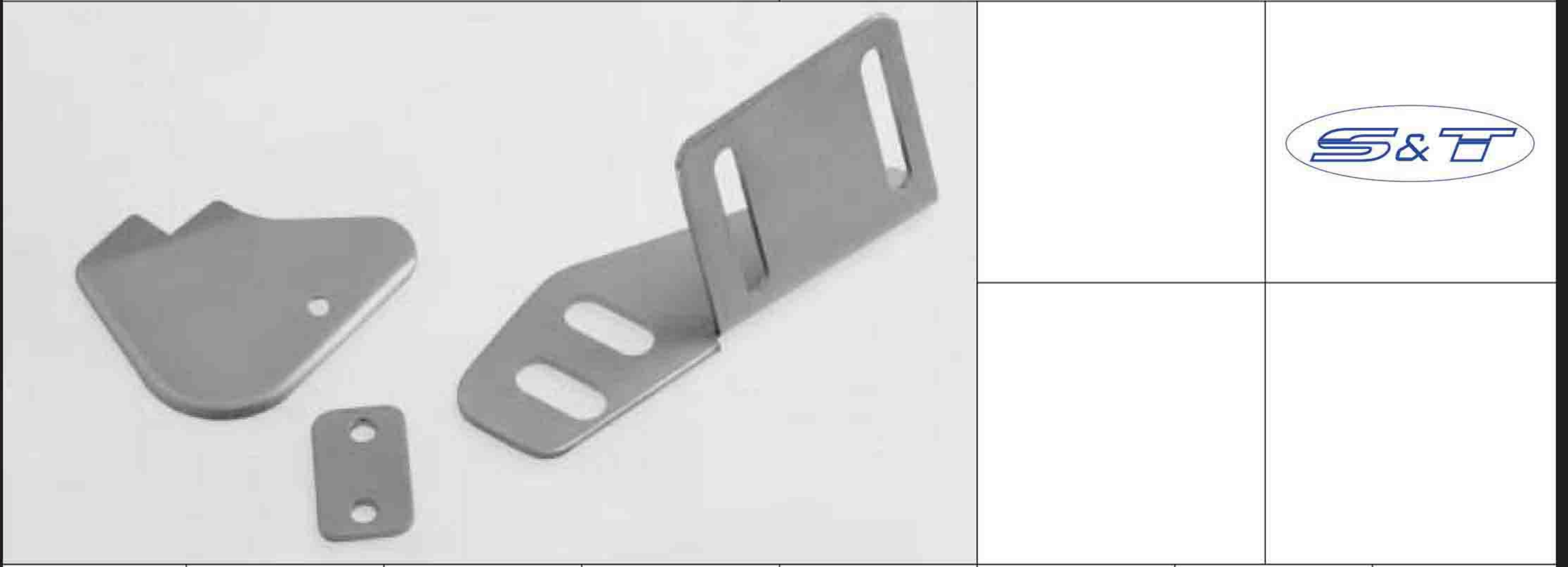
SPLIT TUBE FOLDER FOR 2 NEEDLES CHAINSTITCH MACHINES WITH UPPER TAPE APPLICATION


GUIA DE COLLARIN PARA MAQUINAS A 2 AGUJAS CON BANDA SUPERIOR



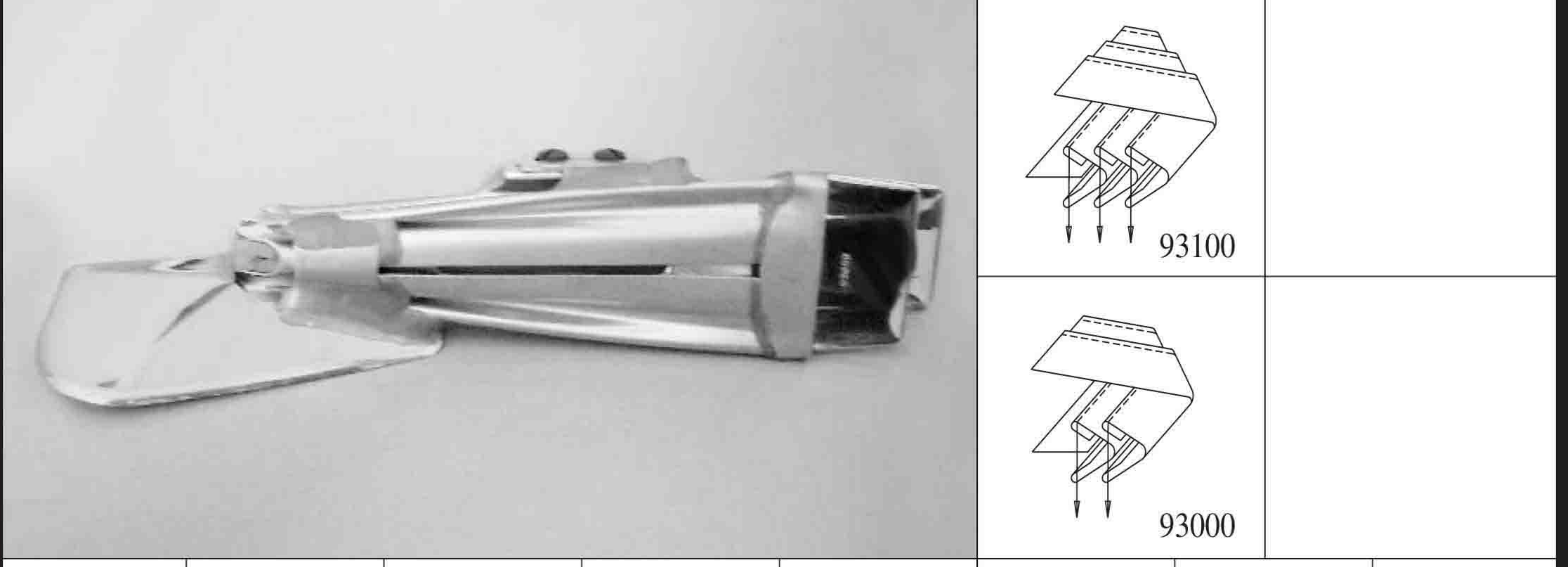
CODICE		mm.  inch.	mm.  inch.				
95000 B/1 kit	RIMOLDI						
95000 B/2 kit	YAMATO						
95000/B		50	1-31/32	20	25/32	M	
		60	2-3/8	25	1	M	
		70	2-3/4	30	1-3/16	M	
CODICE		mm.  inch.	mm.  inch.				
35001		20	25/32	10	25/64	M	

ATTACCO PER GUIDA COLLARETTO PER MACCHINA PIANA	FIXATION POUR COLLERETTE POUR PIQUEUSES
BRACKET FOR SPLITE-TUBE FOLDER FOR FLATBED MACHINE	MONTAJE PARA COLLARIN PARA MAQUINAS PLANAS



CODICE						
P 785 kit	YAMATO					
P 786 kit	RIMOLDI					

GUIDA COLLARETTO PER MACCHINA 9-12 AGHI	GUIDE COLLERETTES POUR MACHINE 9-12 AIGUILLES
SPLIT-TUBE FOLDER FOR 9-12 NEEDLES MACHINES	GUIA PARA COLLARINES PARA MAQUINAS 9-12 AGUJAS



CODICE						
93000						
93100						

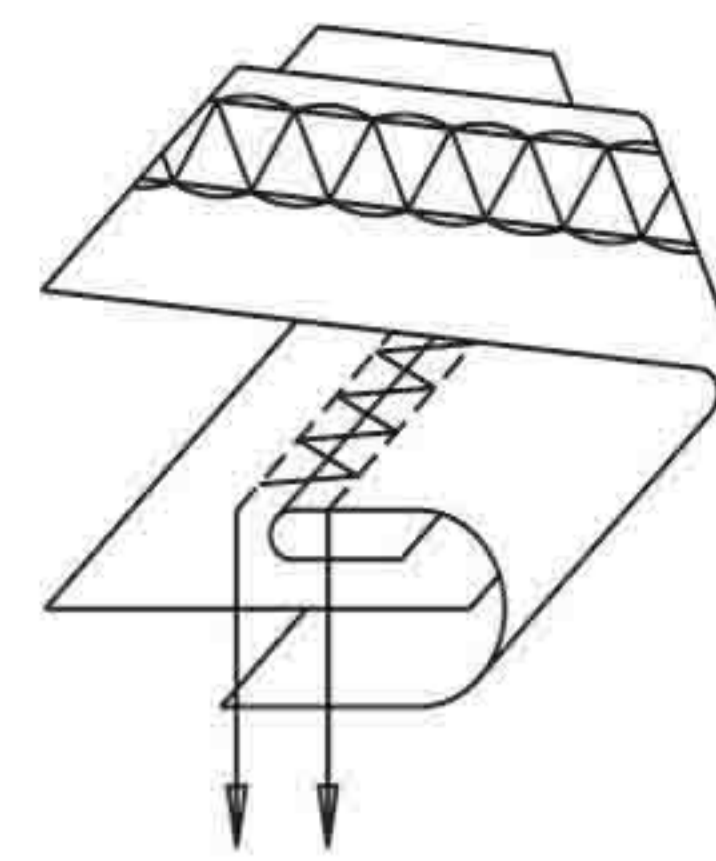
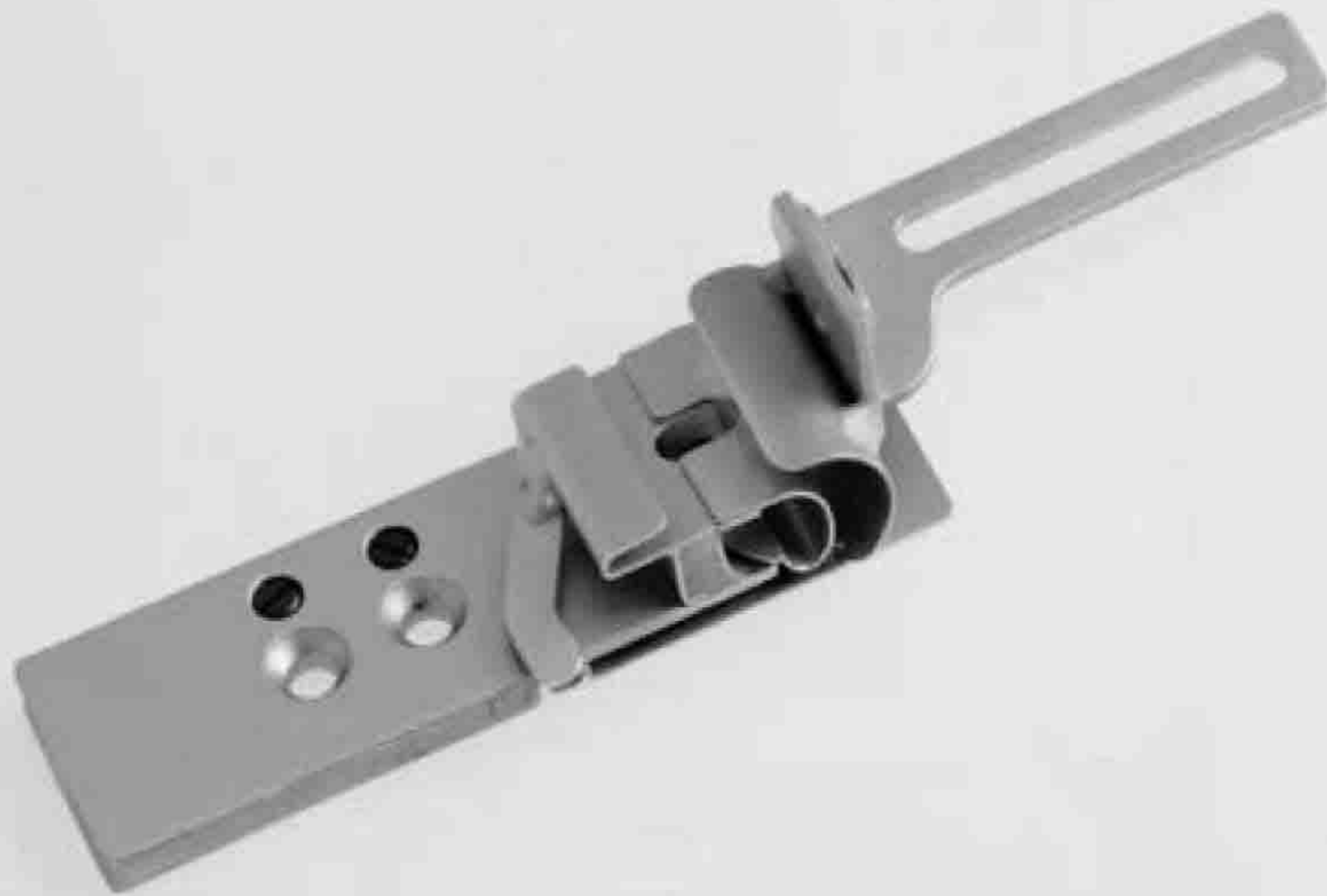
COSTRUITO A RICHIESTA
MANUFACTURED ON REQUEST
CONSTRUIT SUR DEMANDE
CONSTRUIDO SOBRE DEMANDA

GUIDA SPECIALE PER L'APPLICAZIONE DI FASCE ELASTICHE CHIUSE AD ANELLO

GUIDE SPÉCIALE POUR L'APPLICATION D'UNE BANDE ELASTIQUE FERMEE EN ANNEU

SPECIAL FOLDER FOR ATTACHING RING CLOSED STRETCHABLE BANDS

GUIA ESPECIAL PARA LA APLICACION DE TIRAS ELASTICAS CERREDAS EN ANILLOS



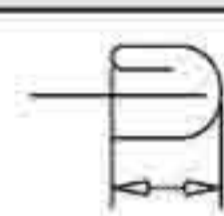
CODICE



mm.



inch.



95300

YAMATO

70

2-3/4

30

1-3/16

74

2-15/16

32

1-1/4

80

3-5/32

35

1-3/8

86

3-3/8

38

1-1/2

90

3-35/64

40

1-9/16

94

3-45/64

42

1-21/32

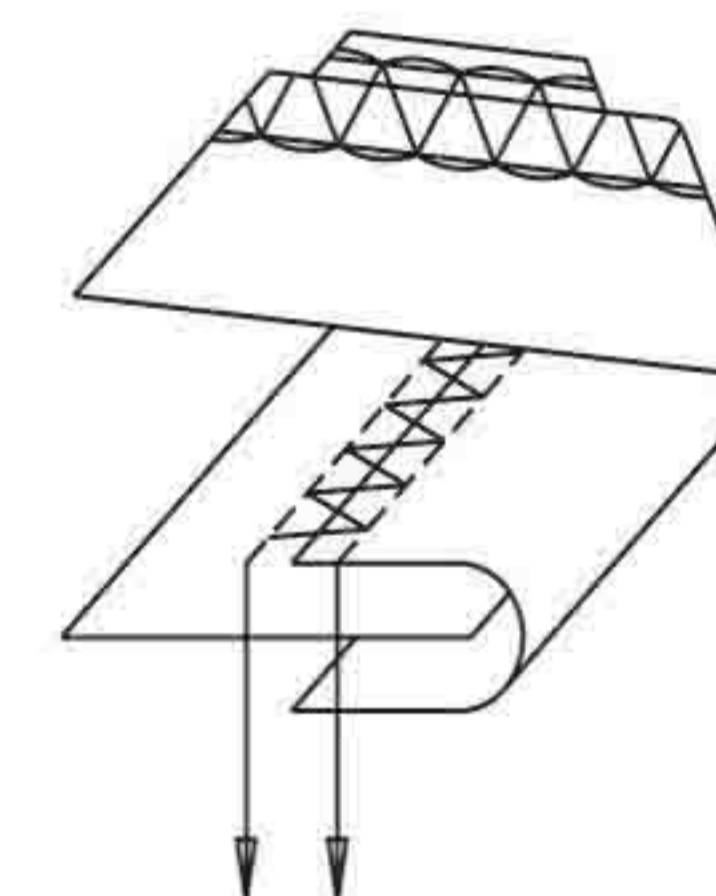
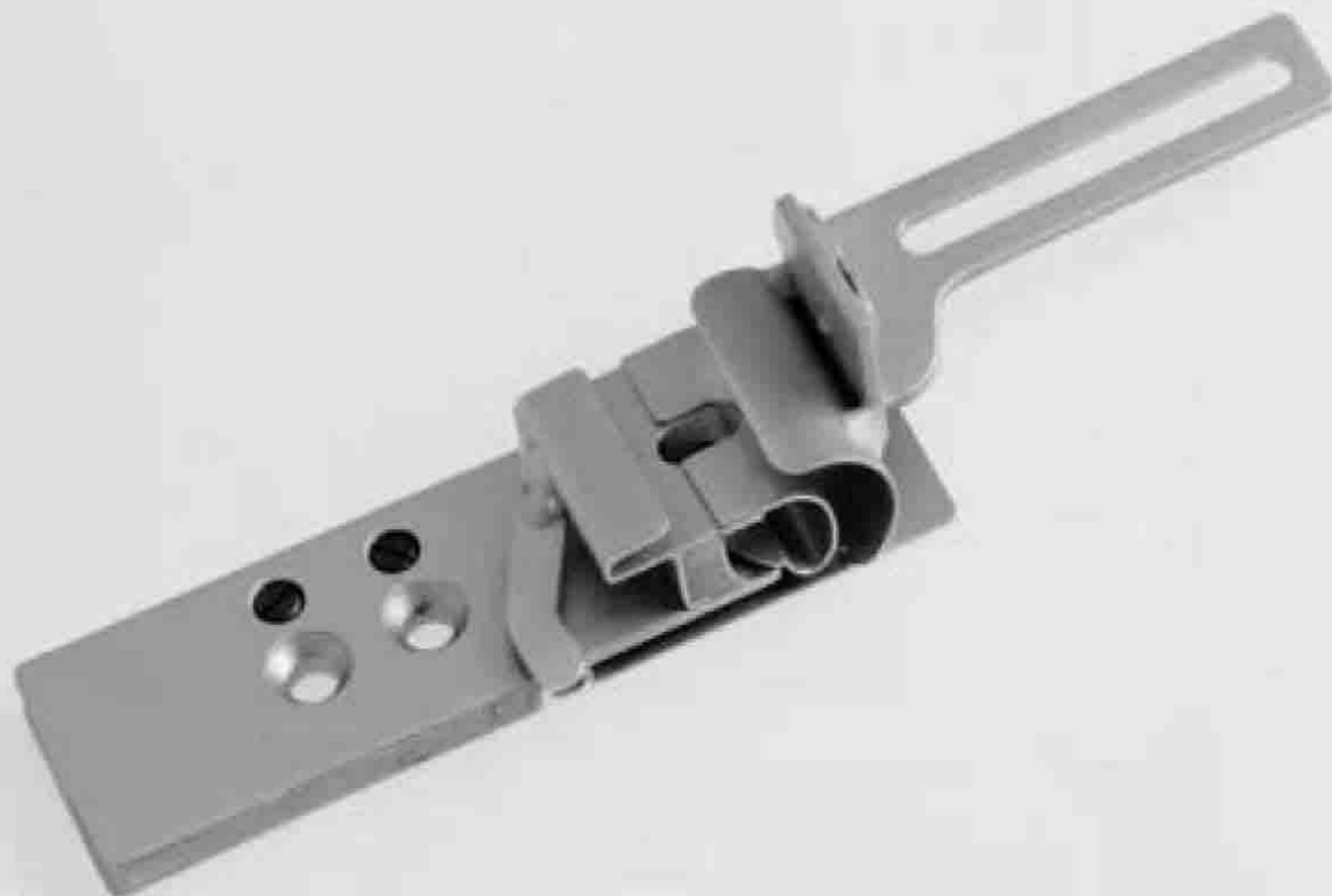
**COSTRUITO A RICHIESTA
MANUFACTURED ON REQUEST
CONSTRUIT SUR DEMANDE
CONSTRUIDO SOBRE DEMANDA**

GUIDA SPECIALE PER L'APPLICAZIONE DI FASCE ELASTICHE CHIUSE AD ANELLO

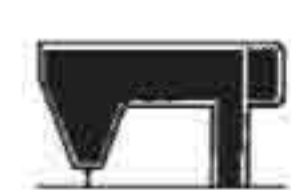
GUIDE SPÉCIALE POUR L'APPLICATION D'UNE BANDE ELASTIQUE FERMEE EN ANNEU

SPECIAL FOLDER FOR ATTACHING RING CLOSED STRETCHABLE BANDS

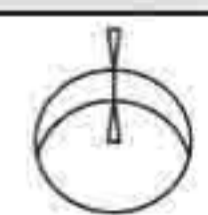
GUIA ESPECIAL PARA LA APLICACION DE TIRAS ELASTICAS CERREDAS EN ANILLOS



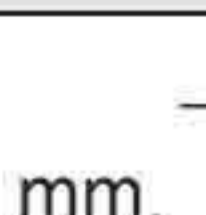
CODICE



mm.



inch.



mm.

inch.

94300

YAMATO

60

2-3/8

30

1-3/16

64

2-17/32

32

1-1/4

70

2-3/4

35

1 3/8

76

3

38

1 1/2

80

3-5/32

40

1-9/16

84

3-5/16

42

1-21/32

**COSTRUITO A RICHIESTA
MANUFACTURED ON REQUEST
CONSTRUIT SUR DEMANDE
CONSTRUIDO SOBRE DEMANDA**